



BODYBILT

Caressa Specs

Multi-Purpose Seating with adjustability, that's what the BodyBilt Caressa brings to the table. An ideal choice for teaming, hoteling, and conferencing, the Caressa addresses these needs with an ergonomic, adjustable and comfort seating option. The Caressa allows you to maintain a healthy posture while addressing all of the requirements inherent in group-environment seating.

Mesh (Pellicle) Back Fabric:

Specify Color Combination

Black/Black (CARESSA-BK/BK;)

Green/Gray (CARESSA-GY/GN)

Gray/Gray (CARESSA-GY/GY)

Heavy Duty Fabric Rated to 30,000 d.r.

Tapered Back Dimensions:

Height 19.25"

Width 18" (at widest point)

Recline: 13° Horizontal Rearward

Minimally Contoured Seat Pan

Seat Dimensions:

Length 19"

Width 20.5"

Seat Height (low): 17½"

Seat Height (high): 21⅛"

2" Molded High Density Foam

Passive Lumbar Support

Quick-Release Arm Movement

Arm Dimensions:

Height Movement: 2" Range

Four (4) Arm Height Settings

Pad Width: 2.75" (widest point)

Pad Length: 9.5"

Synchro-tilt Mechanism

with integrated seat slider

Anti-Kick Feature

Seat Slider on 2.5" track

with four locking positions

26" Aluminum Base

Weight Rated to 250 lbs.

Shipping weight: 55 lbs. (assembled)

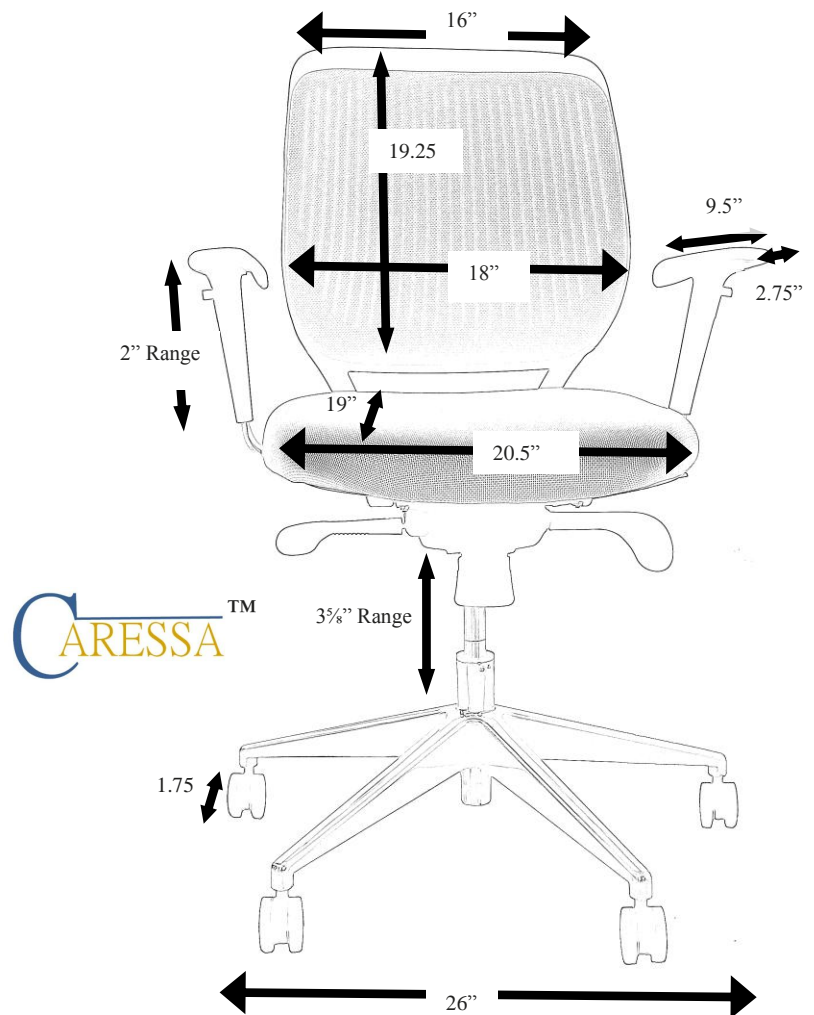
Product weight: 41 lbs.

ANSI/BIFMA Tested, e3 Points Eligible

LEEDS Point Eligible



Certified Green Product (for indoor air quality)



Multi-Purpose
Seating Solution

ergoGENESIS

(800) 364-5299

www.ergogenesis.com