



# Monitor Support Specs

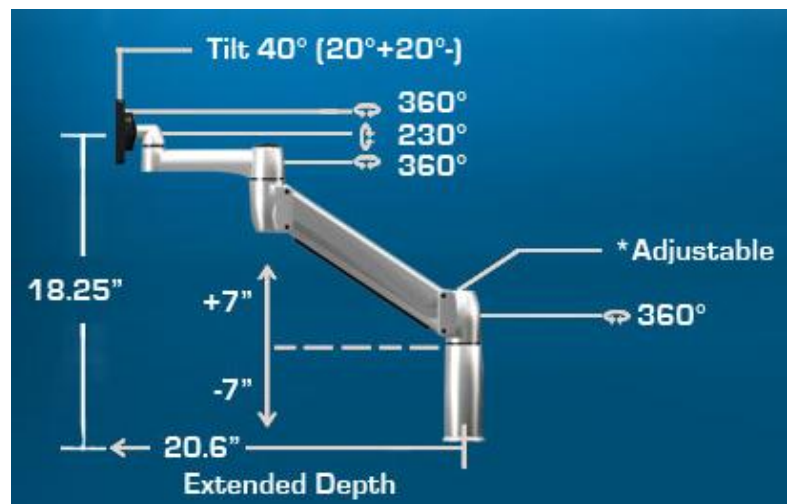
Product Number

**EF-01-CC-P**



A superior monitor mounting system, with flexible easy movement vertically, horizontally, and at all angles. This flexibility works equally well in sit-stand environments. Supports monitors up to 22 lbs.

- Standard extension for up to 20.5" total horizontal extension.
- Landscape and Portrait rotation on ball joint
- 10" h stationary column
- Quick change feature comes standard
- Vesa hole pattern
- Platinum finish
- C-Clamp standard, also available in Bolt Through, Large C-Clamp, Grommet, and Vertical Mount
- Standard adjustable weight ranges from 7 Lbs - 22 Lbs.
- An alternative weight range from 2 Lbs - 10 Lbs or 15 Lbs - 32 Lbs can be specified when ordering.
- Multi-screen configurations (dual, triple or quad) are available upon request.



Quick change feature comes standard! →

