



High-Back Task

Ergonomic adjustability and comfort are the cornerstones of BodyBilt seating. The J2507 features 10-point posture control, which allows the user to control their ergonomic level of comfort. The #7 seat pan is moderately contoured and fits the largest percentile of workers in regards to size, weight and frame. The J-style mechanism allows for a smooth rocking motion or may be locked in a stationary position.

ergoGENESIS

One BodyBilt Place
Navasota, TX 77868

Phone: 800-364-5299
Fax: 936-825-1725
www.ergogenesis.com

BODYBILT®

Specification Sheet

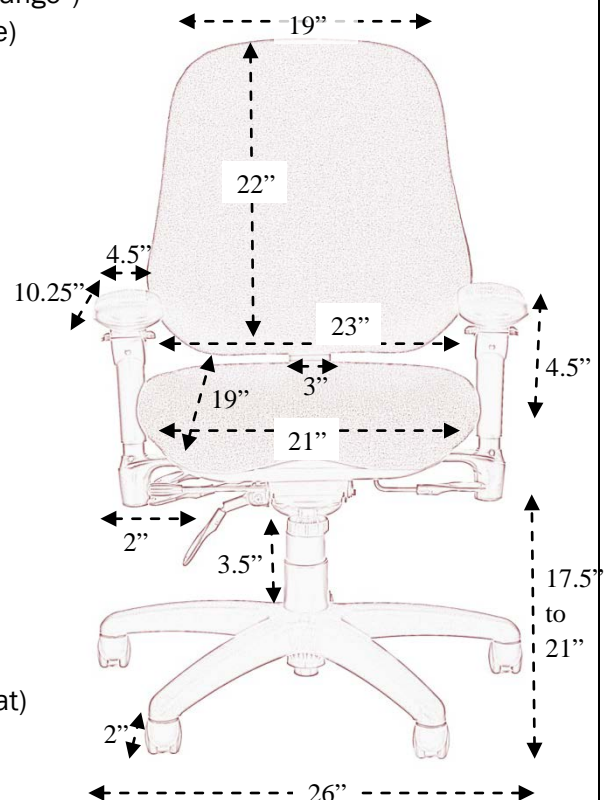
STANDARD FEATURES:

- High-Back (22.0" long x 21.5" wide)
- Fully upholstered back shell
- J-style adjustment mechanism (seat pivots from the center of mechanism)
- Seat depth adjuster (seat slider) (2.5" range)
- Backrest angle adjustment (15° range)
- Backrest height adjustment (3.5" range)
- Armrest height adjustment (4.5" range)
- Armrest angle adjustment (360° range)
- Armrest width adjustment (2" range)
- Black, non-upholstered arm pads (soft, 4.5" wide)
- Armpad width adjustment (2" range)
- Armpad angle adjustment (30° range)
- #7 Seat (19" depth x 21" width)
- Seat height adjustment (3.5" range*)
- Seat tilt adjustment (16° range)
- Tilt adjustment lever
- Tilt tension control
- 360° Swivel
- Black 26" five-star base

OPTIONAL ITEMS:

- *Varying height cylinders (from extra-short to extra-tall)
- Upholstered Arm Pads
- Variety of Casters & Glides
- S'port® Ridge
- Thoracic S'port® Ridge
- Posture Tecnic (PT) Option
- Different Base Options
- Special Stitching
- Fabric Protection
- S'port® Foam (back and/or seat)
- S'port® Lumbar
- Inflatable Air Lumbar®
- Specialty Arms

Model J2507



Contract Holder
Contract # GS-277-0045X